

Interface PCB

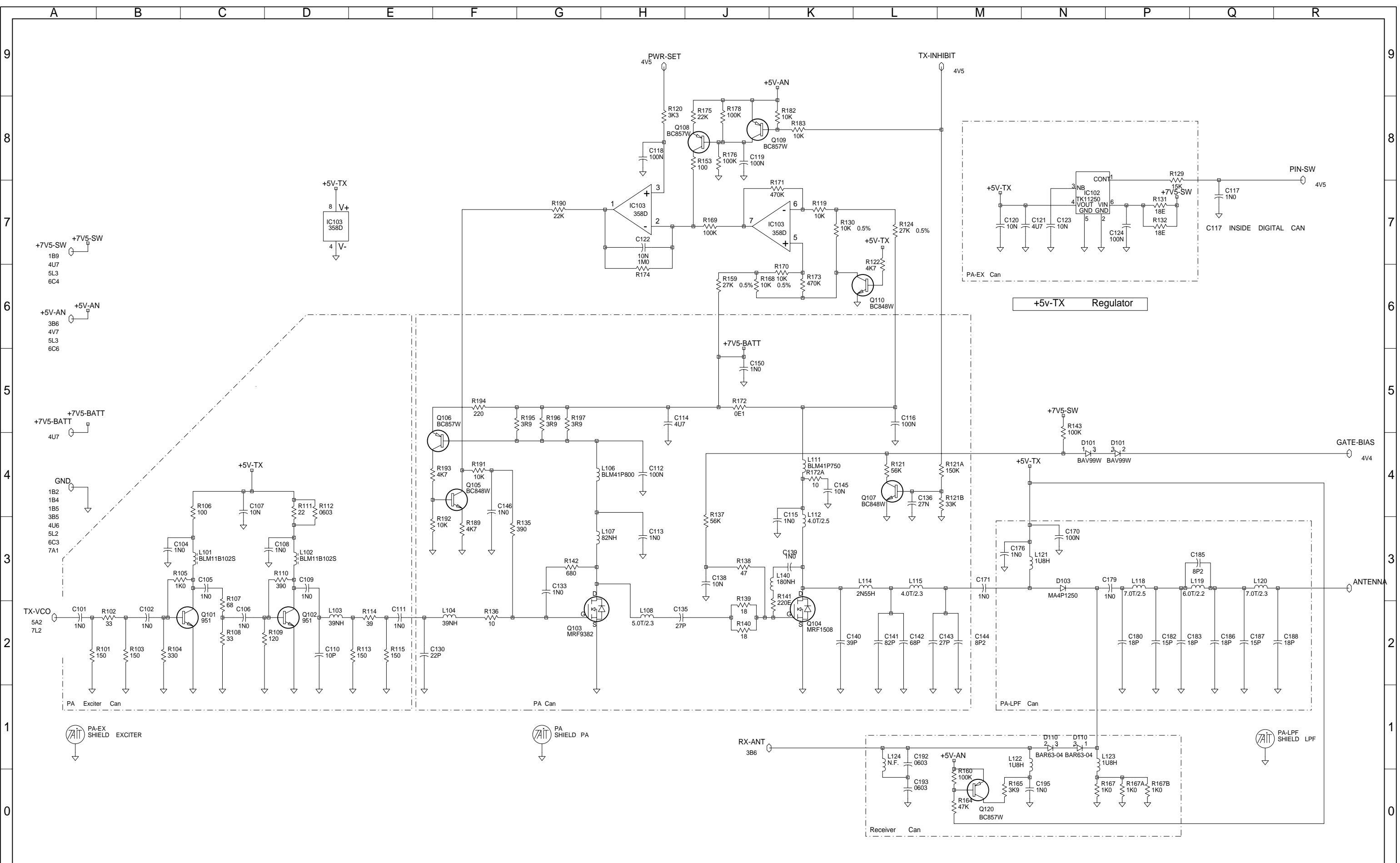
Connector Accessory

03C	D103 > MV4P1250, ECO 50-0411	TS			29-10-99
03B	4 SPR.PINS TO SMD, SEALS NONSMD	CCO	No.1588-007	TS	06/10/99
02B	PARTS ADDED TO SAVE POWER	BRD			11/06/99
02B	GEN-NEW PASTE SCREEN FOR DEK	BRD			02/06/99
02A	MINOR MOD TO CCT AND VALUES	SPICJK			25/05/99
01A	NEW PA LINEUP	BCS/CJK			12/02/99
REV/ISS	AMENDMENTS	DRAWN	CHKD	D.O.	APVD DATE



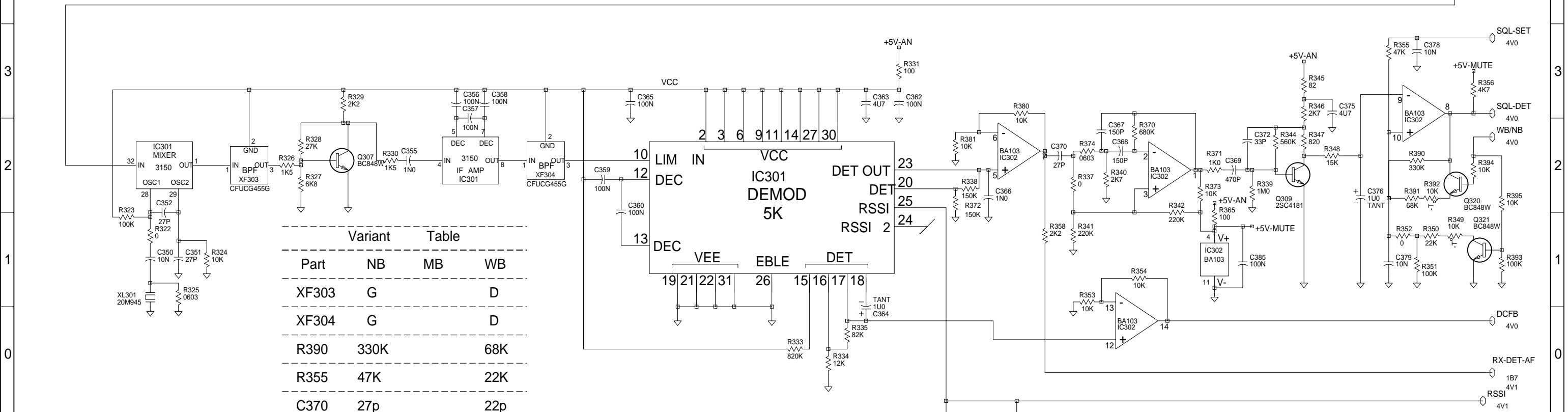
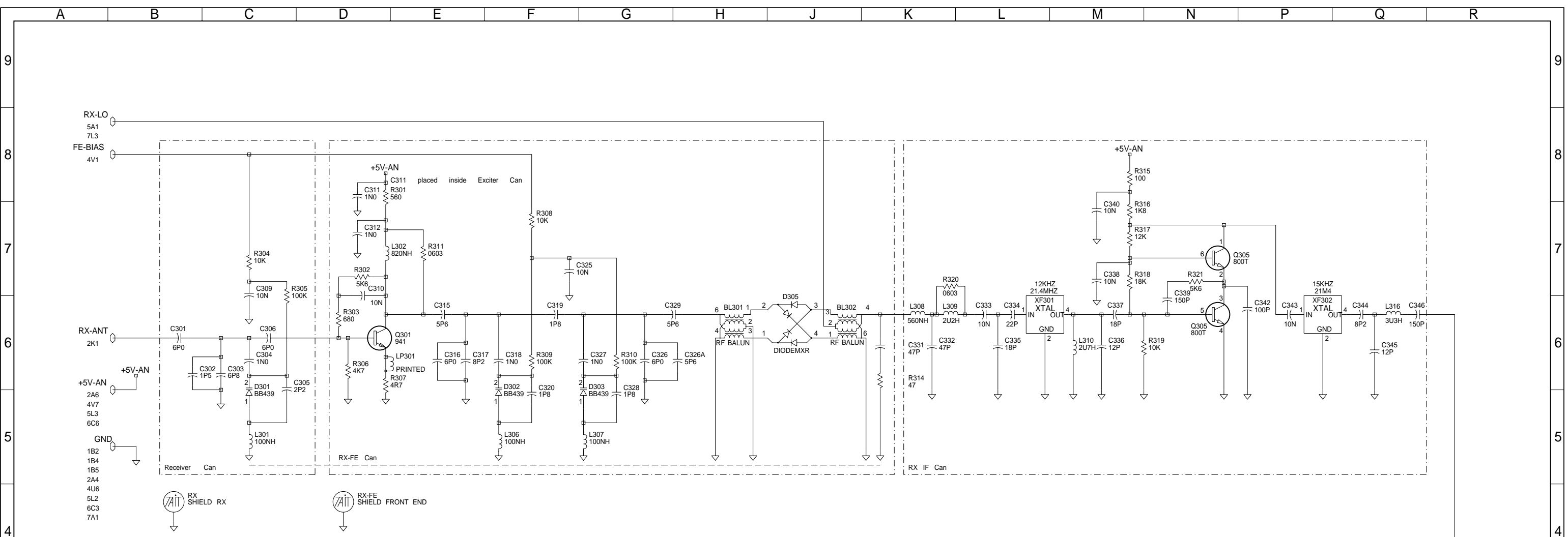
**VHF**  
Tait Orca

© TAIT ELECTRONICS	
ORCA	:TP010-3122 136-174MHZ
SYSTEM DIAGRAM	
IPN: 220-01588-03	ISSUE: C
DESIGNER: TAIT ORCA	FILE NAME: 158803c
DATE: 29-Oct-99	NO.SHEETS: 7



© TAIT ELECTRONICS  
 ORCA :TP010-3122 136-174MHZ  
 POWER AMPLIFIER  
 IPN: C ISSUE: 2.S.C. 2  
 PROJECT: 220-01588-03 DESIGNER: FILE NAME: FILE DATE: NO.SHEETS:  
 TAIT ORCA BRD/TS 158803c 29-Oct-99 7

01A	NEW PA LINEUP (BC-S)	CJK				12/02/99
REV/ISS	AMENDMENTS	DRAWN	CHKD	D.O.	APVD	DATE

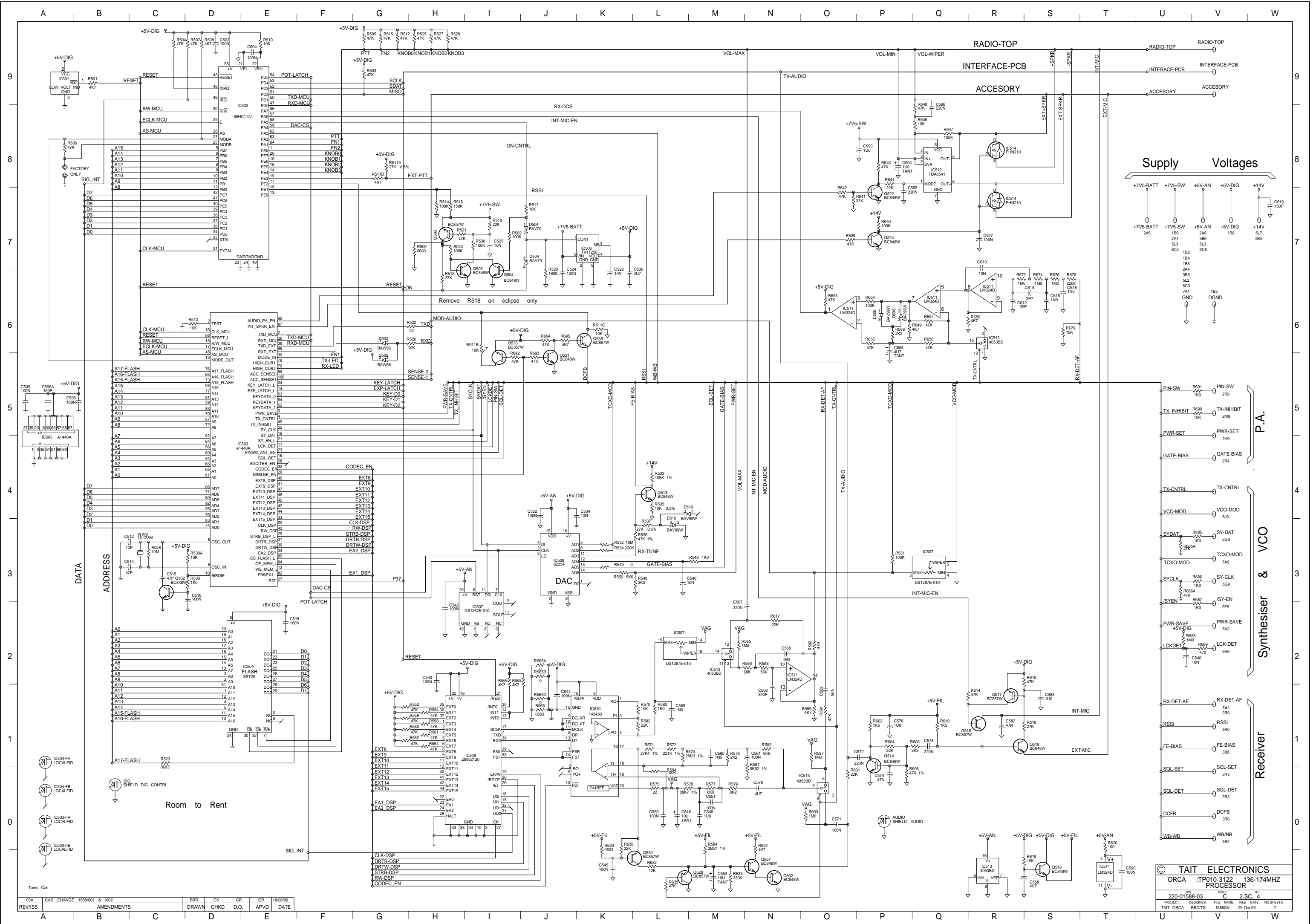


Variant Table

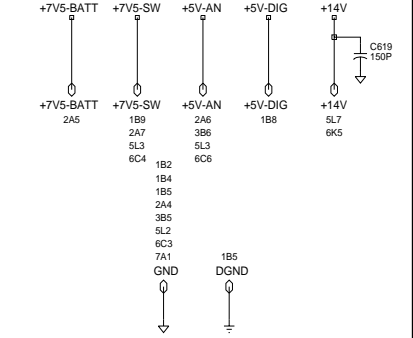
Part	NB	MB	WB
XF303	G		D
XF304	G		D
R390	330K		68K
R355	47K		22K
C370	27p		22p
C369	470p		330p

01A		CJK				12/02/99
REV/ISS	AMENDMENTS	DRAWN	CHKD	D.O.	APVD	DATE

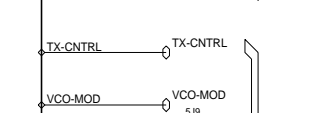
© TAIT ELECTRONICS  
 ORCA :TP010-3122 136-174MHZ RECEIVER  
 IPN: 220-01588-03 ISSUE: C 2.S.C. 3  
 PROJECT: TAIT ORCA BRD/TS DESIGNER: 158803c FILE NAME: 29-Oct-99 NO.SHEETS: 7



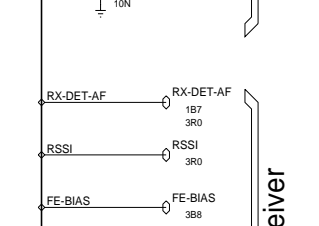
**Supply Voltages**



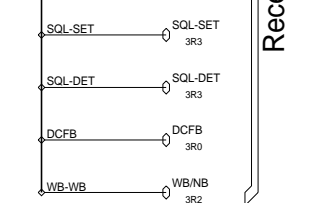
**P.A.**



**Synthesiser & VCO**



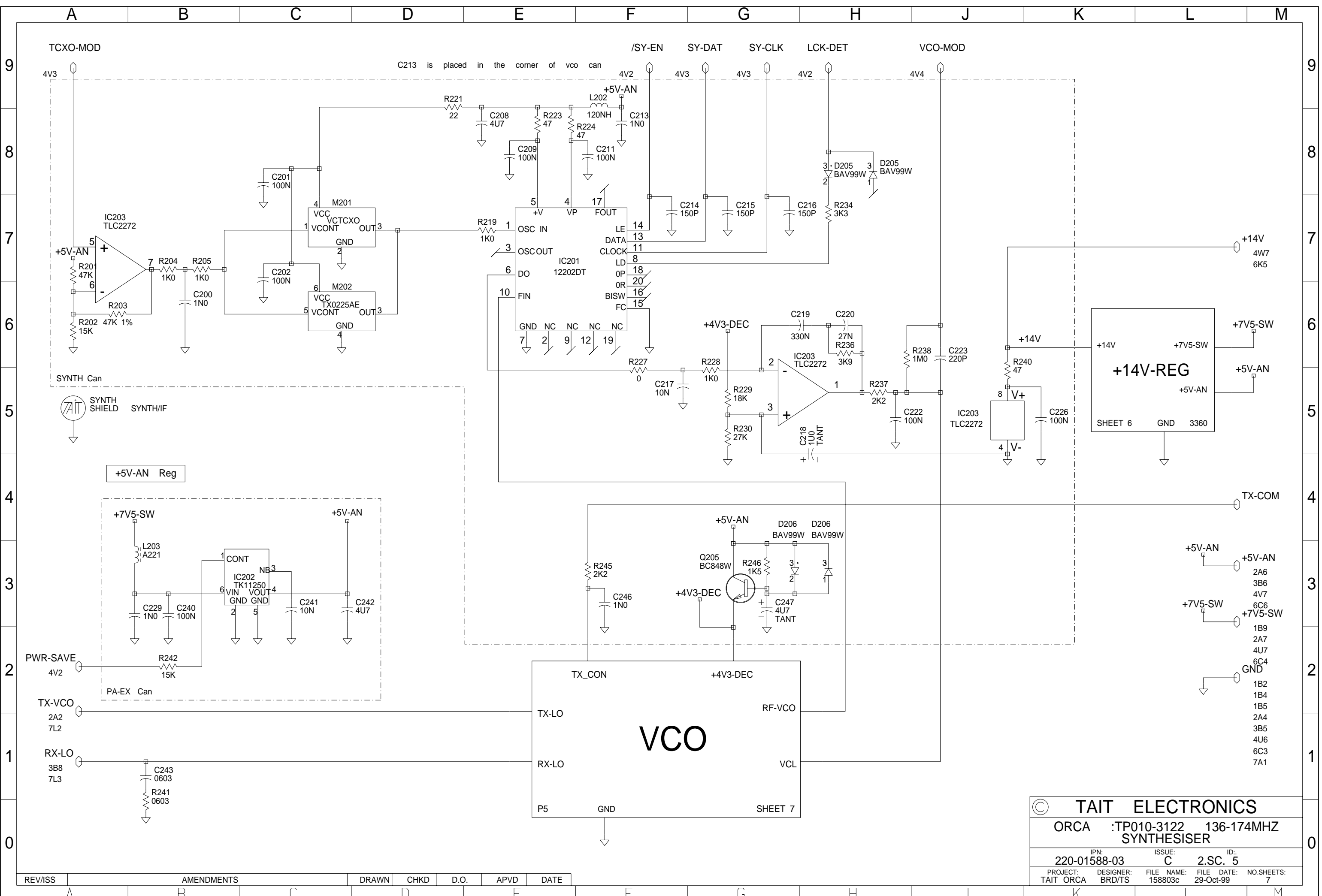
**Receiver**



Room to Rent

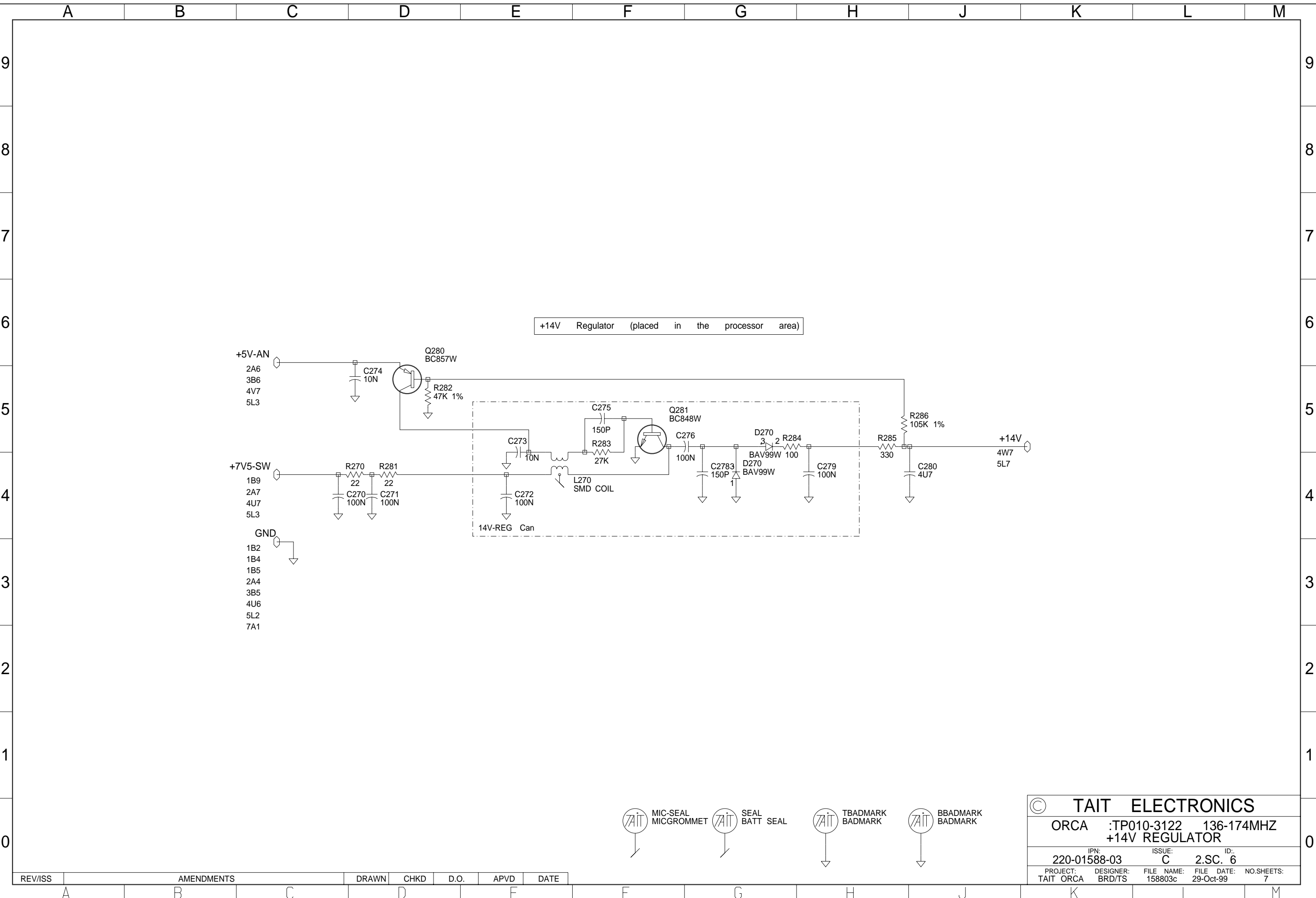
03A	CAD CHANGE	1588/001 & /002	BRD	CK	GR	GR	10/08/99
REV/ISS	AMENDMENTS		DRAWN	CHKD	D.O.	APVD	DATE

© TAIT ELECTRONICS			
ORCA :TP10-3122 136-174MHZ			
PROCESSOR			
220-01588-03	C	2	SC 4
TAIT ORCA BRDTS	1588/03	29-Oct-99	NO SHEETS 7

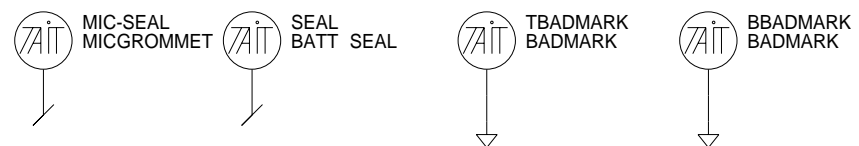
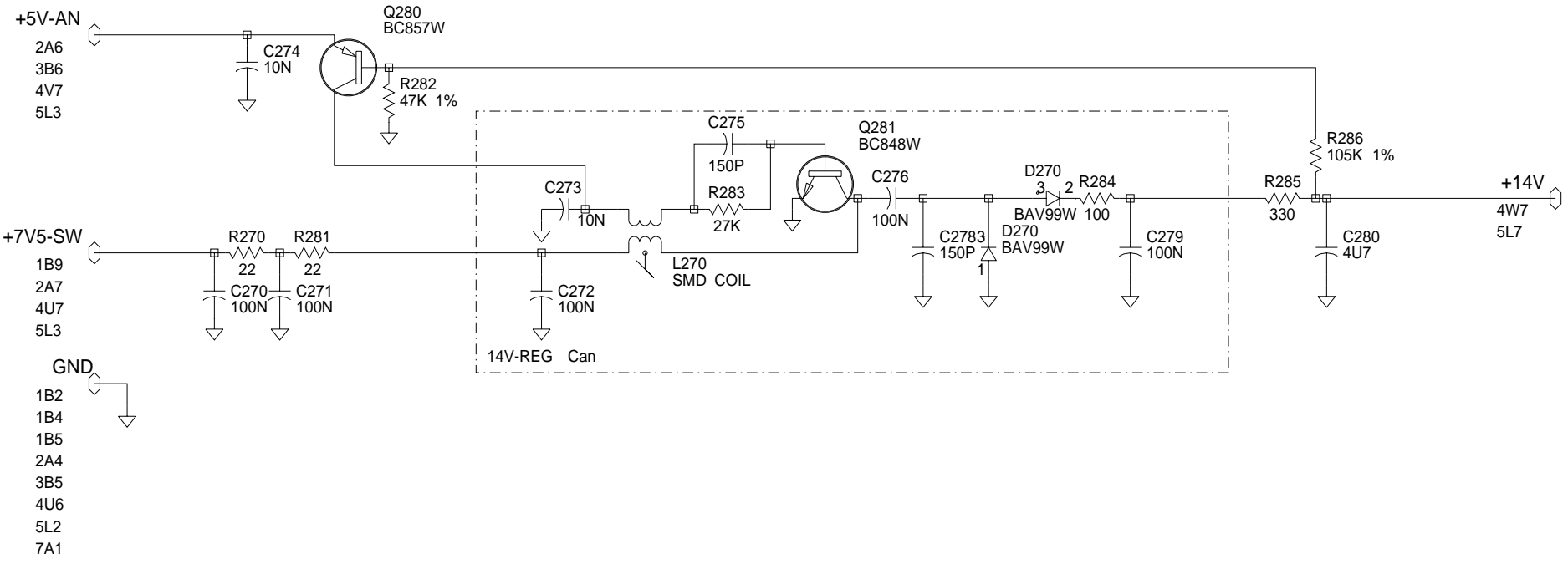


© TAIT ELECTRONICS  
 ORCA :TP010-3122 136-174MHZ SYNTHESISER  
 IPN: 220-01588-03 ISSUE: C ID: 2.SC. 5  
 PROJECT: TAIT ORCA DESIGNER: BRD/TS FILE NAME: 158803c FILE DATE: 29-Oct-99 NO.SHEETS: 7

REV/ISS	AMENDMENTS	DRAWN	CHKD	D.O.	APVD	DATE

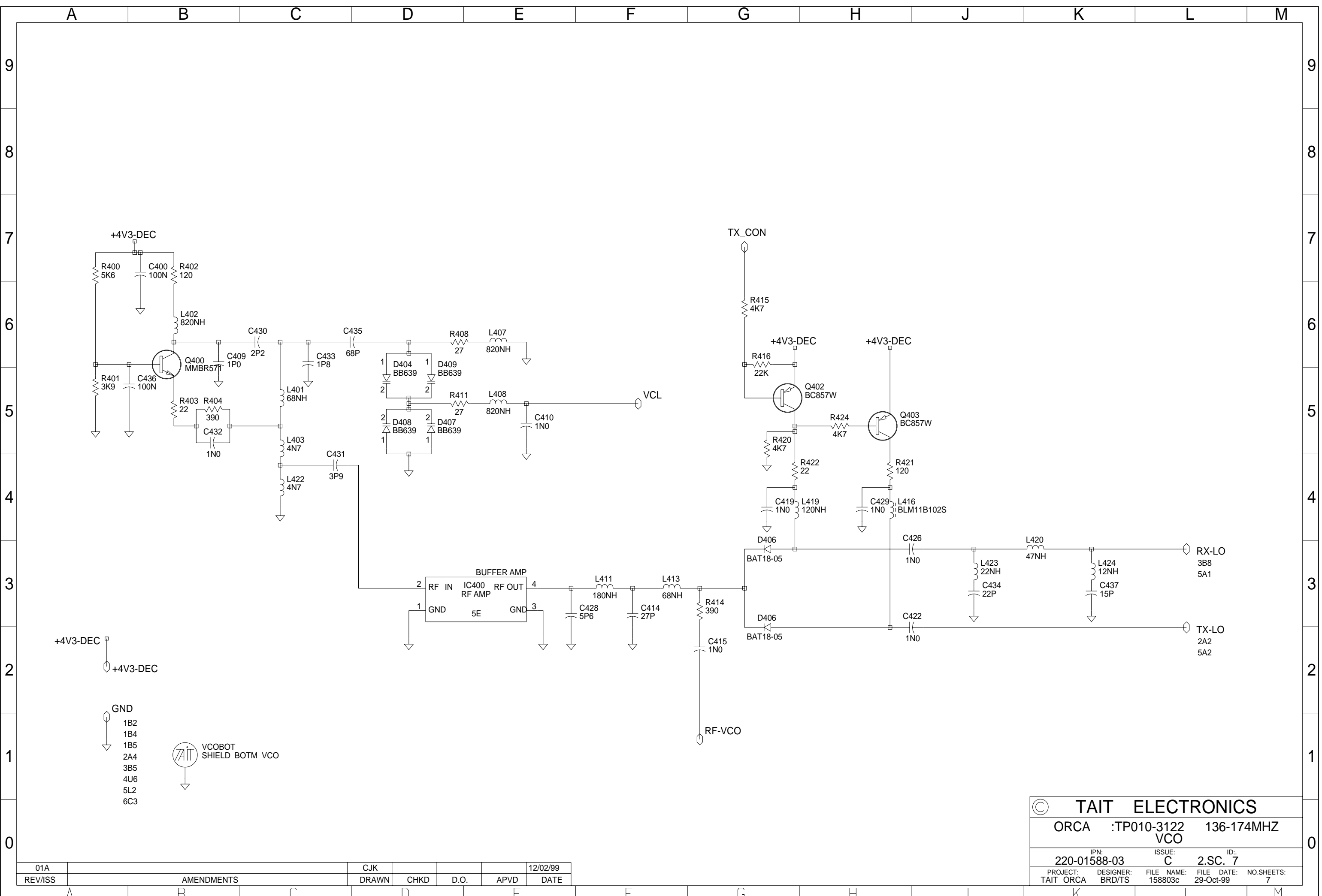


+14V Regulator (placed in the processor area)



© TAIT ELECTRONICS				
ORCA		TP010-3122	136-174MHZ	
+14V REGULATOR				
IPN:		ISSUE:	ID:	
220-01588-03		C	2.SC. 6	
PROJECT:	DESIGNER:	FILE NAME:	FILE DATE:	NO.SHEETS:
TAIT ORCA	BRD/TS	158803c	29-Oct-99	7

REV/ISS	AMENDMENTS	DRAWN	CHKD	D.O.	APVD	DATE
---------	------------	-------	------	------	------	------



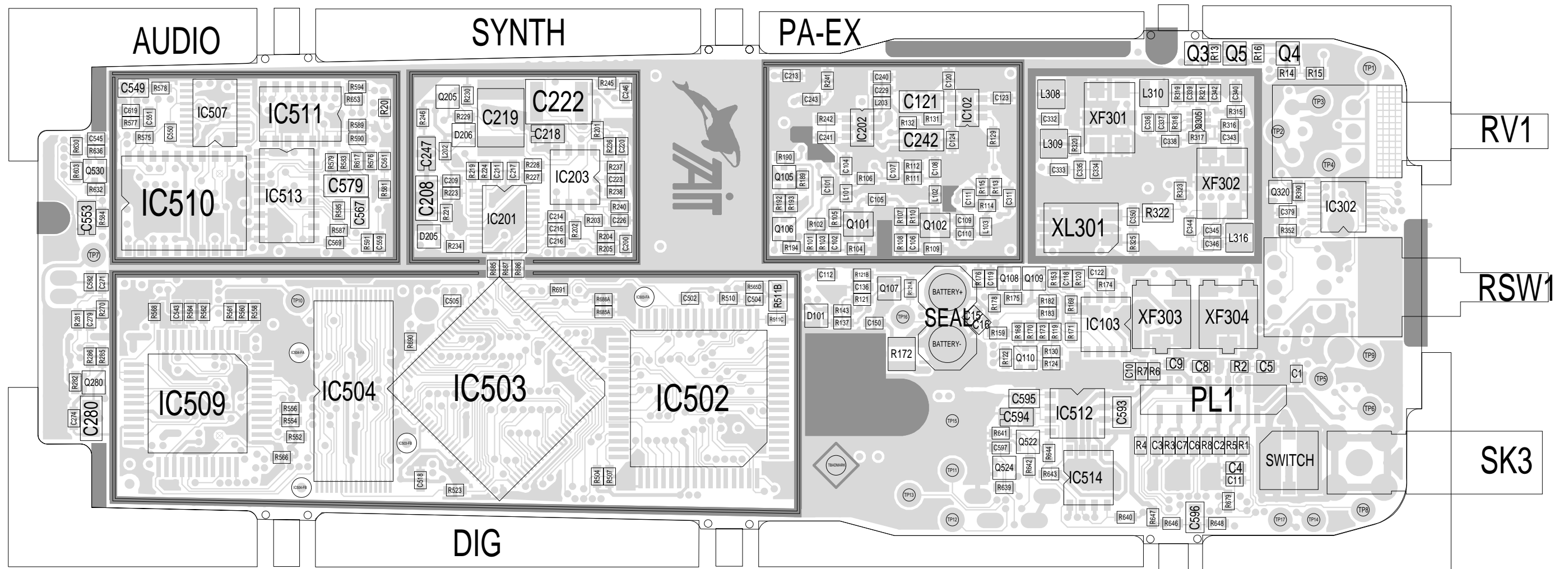
01A		CJK				12/02/99
REV/ISS	AMENDMENTS	DRAWN	CHKD	D.O.	APVD	DATE

© TAIT ELECTRONICS

ORCA :TP010-3122 136-174MHZ  
VCO

IPN: 220-01588-03 ISSUE: C ID: 2.SC. 7

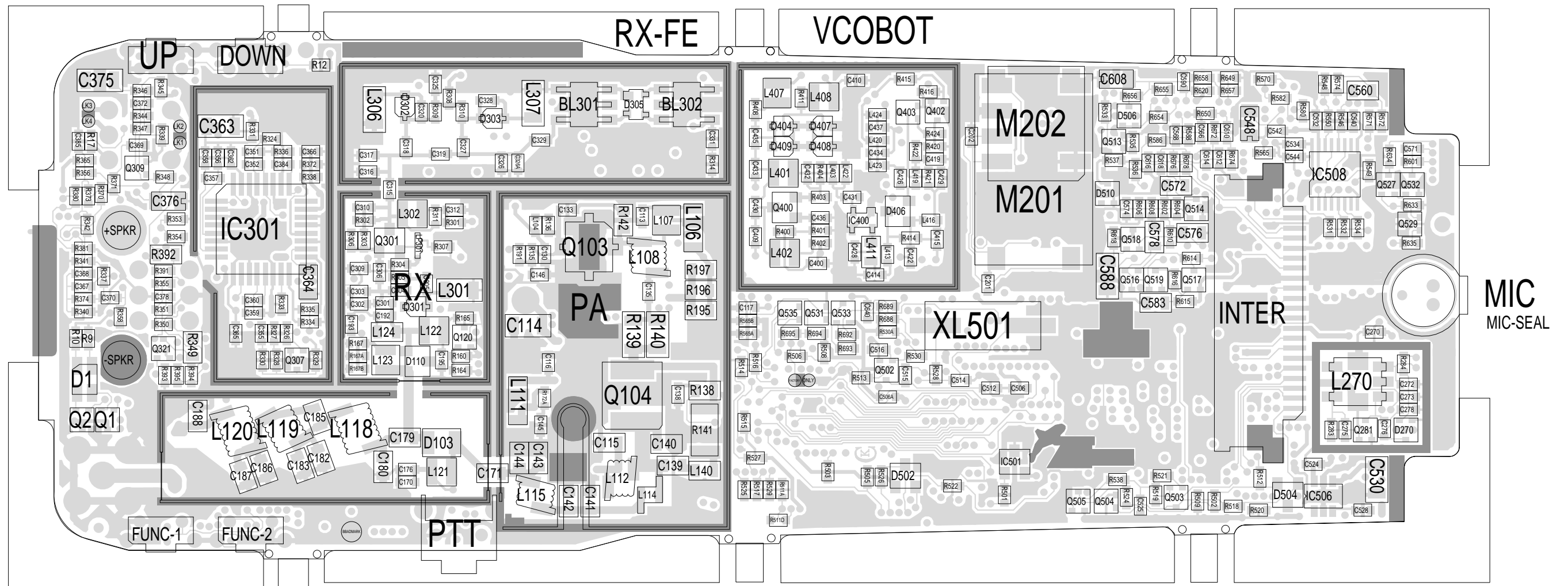
PROJECT: TAIT ORCA DESIGNER: BRD/TS FILE NAME: 158803c FILE DATE: 29-Oct-99 NO.SHEETS: 7



TAIT ELECTRONICS IPN: 220-01588-03 ISS: -03A ID: 1.TA DATE: 12 Aug 1999  
 ORCA VHF PCB LAYOUT - TOP SIDE

Scale: 2.3:1 ; Rotation: 0 degrees





TAIT ELECTRONICS IPN: 220-01588-03 ISS: -03A ID: 6.BA DATE: 12 Aug 1999  
 ORCA VHF PCB LAYOUT - BOTTOM SIDE

Scale: 2.3:1 ; Rotation: 0 degrees